

SCAT 160

High Gain Collinears

140-174 MHz



- 6dBd Gain**
- Slim Tapered Design**
- Rugged Glass Fibre Protection**
- Easy Mounting**

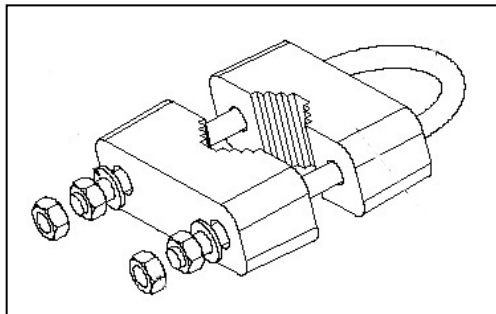
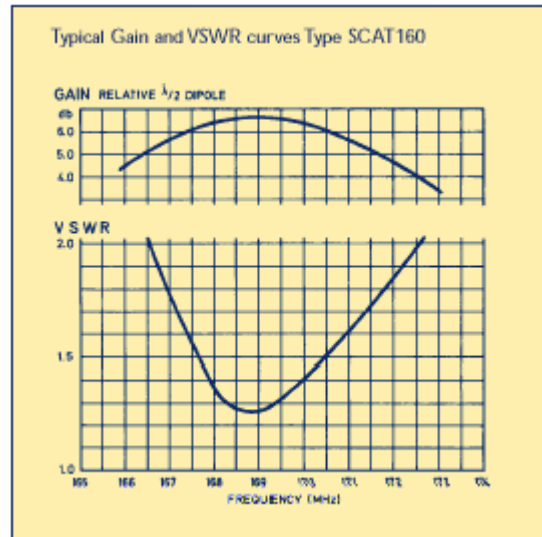
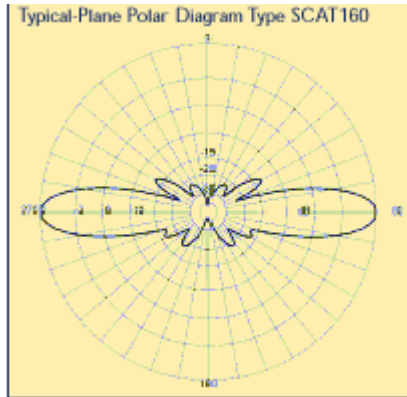
Antenna Type SCAT160 has a gain of 6dB at its design centre frequency. High gain is maintained over a considerable frequency band, e.g. 5dB over approximately 5 MHz. A high degree of decoupling from the support structure and feeder cable has been achieved without the use of ground plane rods. The radiating elements of these rugged collinear antennas are encapsulated in low loss polyurethane foam which bonds them firmly to the inside of the support tube. These antennas are constructed in two sections to facilitate handling, storage and shipping. Prior to installation the sections are screwed firmly together.



ELECTRICAL SPECIFICATIONS	
Frequency Range:	140-174MHz
Bandwidth	3% typical
Gain (Rel. $\lambda/2$ dipole):	6dBd (5dBd for bandwidth of approx. 6 MHz)
VSWR:	1.5:1 typical
Polarisation	Vertical
E-Plane Beamwidth (-3dB)	$\pm 8^\circ$ typical
Power Rating:	100 Watts
Impedance:	50 ohms
Lightning Protection:	DC ground
Feeder Tail:	915mm URM67 coaxial cable
MECHANICAL SPECIFICATIONS	
Termination:	N male (Other Terminations Avail:)
Overall Length	6M approx.
Radiator Housing Diameter	41 mm max outside diameter
Weight:	5kg
Rated Wind Velocity:	193 km/h
Horizontal Thrust at Rated Wind:	32.6kg
Mounting:	Order separately. Mounts to a 32-51mm O.D. Support pipe using 2 x clamp pt.no 9638501
MATERIALS	
Radiator Housing	Green tapered glass fibre tube
Radiator Elements	Copper
Support tubes:	48mm 7swg polished seamless extruded aluminium
Clamps	Aluminium casting, stainless steel U-bolts and fasteners
STANDARD MODELS	
140-152MHz *	SCAT160LB
152.001-174MHz*	SCAT160HB

***NB Specify Operating Frequency When Ordering**

SCAT 160 High Gain Collinears 140-174 MHz



Pt. No. 9638501
Parallel Clamp for connecting to
1-2 in. (32-51mm) od. support.
Two of these clamps provide
excellent offset masthead mounting
as shown overleaf.